

Technical data sheet

Device installation trunking, type GK70170

Art.-Nr. 6274700



GK device installation trunking, made of lead-free PVC, suitable for installing directly on the wall or on wall panels. Fastening takes place using the perforation in the trunking. The GK device installation trunking possesses a C profile on the floor to accept a plastic partition. All the switch programmes with a support ring and support clamp design as well as Modul 45 installation devices can be installed in the accessory mounting boxes of series 71GD.... The system opening is 76.5 mm. On each trunking length, a coupling pair is pre-assembled on one side. The cover must be ordered separately.



PVC Polyvinylchloride

Additional product text 1 | The cover must be ordered separately.

Master data

Item no.	6274700
Type	GK-70170RW
Description 1	Device installation trunking
Description 2	with floor knock-outs
Dimension	70x170x2000
Colour	Pure white
RAL number	9010
Material	Polyvinylchloride
Material symbol	PVC
Smallest sales unit	2,00 m
Weight	180,00 kg/100 m

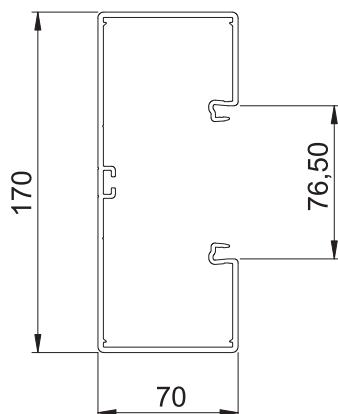
Technical data sheet

Device installation trunking, type GK70170

Art.-Nr. 6274700



Technical data



Length	2.000,00 mm
Width	170,00 mm
Height	70,00 mm
Number of covers	1,00
Number of insertable partitions	1,00
Rear panel version (inner side)	Continuous C profile
Rectangular shape	<input checked="" type="checkbox"/>
Base perforation	With base perforation
Halogen-free	<input type="checkbox"/>
Cable retaining clip	<input type="checkbox"/>
Duct depth	70,00 mm
Trunking height	170,00 mm
Duct connector	<input checked="" type="checkbox"/>
Cover mounting type	Internal
Mounting perforation in base	<input checked="" type="checkbox"/>
Cover width	76,5 mm
Cover width 2	0,00 mm
Cover width 3	0,00 mm
Cover supplied	<input type="checkbox"/>
Protective film	<input checked="" type="checkbox"/>
Symmetrical	<input checked="" type="checkbox"/>