

Technical data sheet

Series pressure clip, light grey

Art.-Nr. 2250306



Universal clip for the single fastening of cables and pipes, all sizes can be seamlessly expanded among each other, with adhesive foot, slot and for screwing to M6 thread.

To stick the polyamide clips to masonry and concrete, use Impu-Fix ribbon conductor quick adhesive, type 509.

*Sizes 3-7 are not suitable for nail guns.



PA Polyamide

Master data

Item no.	2250306
Type	2037 18-30 LGR
Description 1	Series pressure clip
Dimension	18-30mm
Colour	Light grey
RAL number	7035
Material	Polyamide
Material symbol	PA
Smallest sales unit	25,00 Piece
Weight	1,00 kg/100 pc.

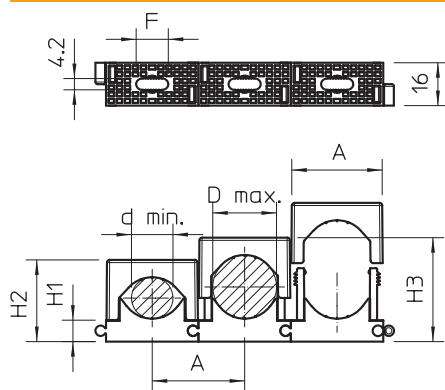
Technical data sheet

Series pressure clip, light grey

Art.-Nr. 2250306



Technical data



Dimension A	40,00 mm
Dimension d min.	18,00 mm
Dimension d max.	30,00 mm
Dimension F	12,00 mm
Dimension H1	9,00 mm
Dimension H2	34,00 mm
Dimension H3	46,00 mm
Expandable	<input checked="" type="checkbox"/>
Number of cables/pipes	1,00
Version	Closed
Fastening type	Screw hole
Halogen-free	<input checked="" type="checkbox"/>
Impact-resistant	<input type="checkbox"/>
Snap system	<input checked="" type="checkbox"/>
Clamping range D	18,00 - 30,00 mm