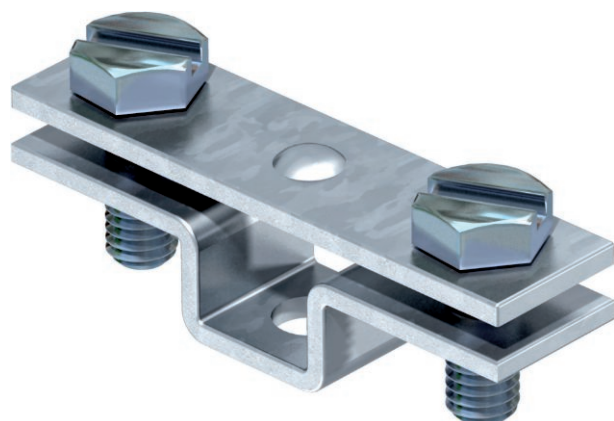


Technical data sheet

Spacer clip for flat conductor with fastening hole \varnothing 6.5

Art.-Nr. 5032032



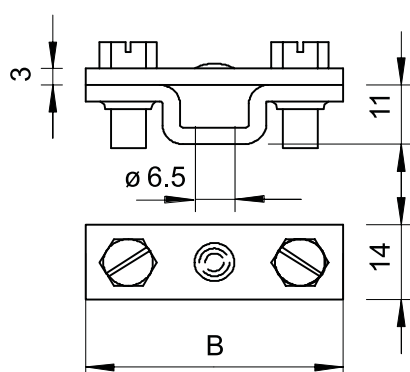
- Fit: FL 30 and FL 40
- With mounting hole \varnothing 6.5 and 2 hexagonal bolts M6 x 16 (F)

St	Steel
FT	Hot-dip galvanised

Master data

Item no.	5032032
Type	831 30
Description 1	Distance saddle
Description 2	for steel strip
Dimension	30mm
Material	Steel
Material symbol	St
Surface	Hot-dip galvanised
Surface to DIN	DIN EN ISO 1461
Surface symbol	FT
Smallest sales unit	25,00 Piece
Weight	3,58 kg/100 pc.

Technical data



Dimension B	54,00 mm
Fit	max. FL30 mm
Intermediate plate	<input type="checkbox"/>