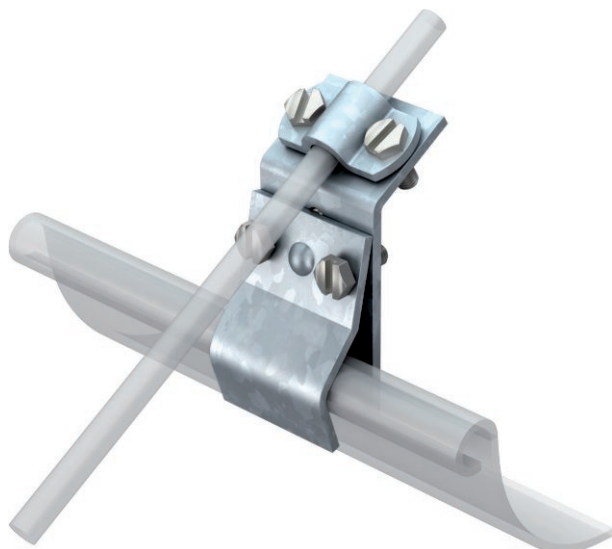


Technical data sheet

Roof gutter clamp for all bead thicknesses

Art.-Nr. 5316014



- With 4 hexagonal bolts M6 x 16
- Suitable for all bulge thicknesses

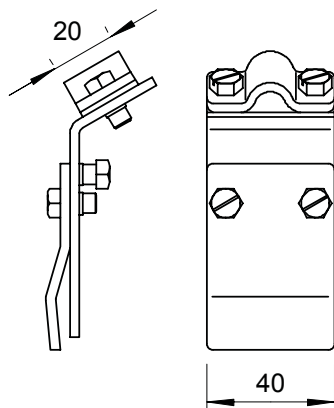
St	Steel
FT	Hot-dip galvanised

Product description

Master data

Item no.	5316014
Type	262
Description 1	Gutter clamp
Dimension	8-10mm
Material	Steel
Material symbol	St
Surface	Hot-dip galvanised
Surface to DIN	DIN EN ISO 1461
Surface symbol	FT
Smallest sales unit	25,00 Piece
Weight	20,30 kg/100 pc.

Technical data



Type of fastening screw	Hex set screw
Type of connector	Roof gutter clamp
Fit	Rd 8-10 mm