

# Technical data sheet

## TP wall and ceiling bracket

Art.-Nr. 6365949



TP wall and ceiling bracket with clamping lugs for screwless mesh cable tray fastening.



|           |                  |
|-----------|------------------|
| <b>St</b> | Steel            |
| <b>FS</b> | Strip galvanised |

|                                      |  |
|--------------------------------------|--|
| Additional product text, instruction | If the bracket is fastened directly to the wall or ceiling, then, for reasons of stability, always use the spacer, type DS 4.<br>Max. side height of the cable support system 60 mm. |
|--------------------------------------|--|

### Master data

|                     |                        |
|---------------------|------------------------|
| Item no.            | 6365949                |
| Type                | TPDG 345 FS            |
| Description 1       | Wall and ceiling strap |
| Description 2       | for mesh cable tray    |
| Dimension           | B345mm                 |
| Material            | Steel                  |
| Material symbol     | St                     |
| Surface             | Strip galvanised       |
| Surface to DIN      | DIN EN 10346           |
| Surface symbol      | FS                     |
| Smallest sales unit | 5,00 Piece             |
| Weight              | 81,00 kg/100 pc.       |

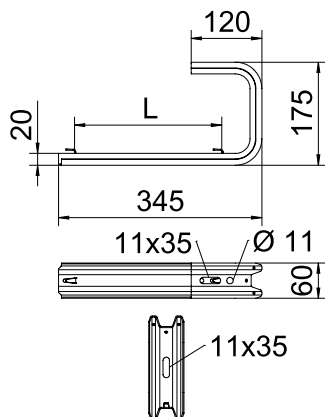
# Technical data sheet

## TP wall and ceiling bracket

Art.-Nr. 6365949



### Technical data



|  |                                     |
|--|-------------------------------------|
| Width  | 345,00 mm                           |
| Dimension B                                  | 345,00 mm                           |
| Dimension L                                  | 250,00 mm                           |
| Version                                      | Suspension bracket (C clamp)        |
| F in ceiling                                 | 0,50 kN                             |
| F in kN wall                                 | 0,55 kN                             |
| for width                                    | 300,00 - 300,00 mm                  |
| Suitable for tray/ladder width               | 300,00 mm                           |
| Suitable for maintaining electrical function | <input type="checkbox"/>            |
| Suitable for cable tray                      | <input type="checkbox"/>            |
| Suitable for cable ladder                    | <input type="checkbox"/>            |
| Suitable for mesh cable tray                 | <input checked="" type="checkbox"/> |

### Appr. load:

|                         |         |
|-------------------------|---------|
| Anchor, approved F 1.65 | 1,65 kN |
| Anchor, approved F 3.57 | 3,57 kN |

# Technical data sheet

TP wall and ceiling bracket

Art.-Nr. 6365949



Technical data

Appr. load: