

# Technical data sheet

## Fastening element for mesh cable tray

Art.-Nr. 2007833



The fastening element BE TS GR can be used to attach OBO junction boxes, type T60 and T100, to mesh cable trays quickly and in a few actions. This keeps the junction box securely in position. However, it can be quickly dismantled as necessary.



**PC** Polycarbonate

### Master data

Item no.	2007833
Type	BE TS GR
Description 1	Fastening element T60-T100
Description 2	for mesh cable trays
Dimension	139x104mm
Colour	Light grey
Material	Polycarbonate
Material symbol	PC
Smallest sales unit	10,00 Piece
Weight	2,30 kg/100 pc.

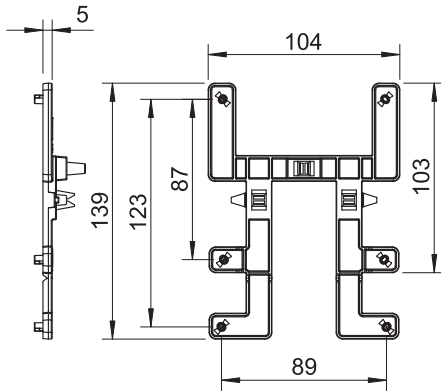
# Technical data sheet

## Fastening element for mesh cable tray

Art.-Nr. 2007833



### Technical data



Width	104,00 mm
Height	139,00 mm
Version	horizontal
Fastening type	Click fastening
Rustproof steel, pickled	<input type="checkbox"/>