

# Technical data sheet

## Round conductor terminal to 25 mm<sup>2</sup> for 1801 VDE

Art.-Nr. 5015758



- For single or multi-wire cables 2.5–25 mm<sup>2</sup>
- For fine-wire cables to 16 mm<sup>2</sup> (max. Ø 7 mm)
- 1 division unit
- Lightning current carrying capacity 100 kA (10/350)
- Electrogalvanised steel
- Tension clamp with screw lock against self-loosening (e.g. required in industry and in explosion-protected areas)

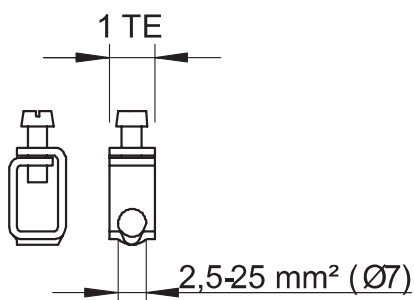


<b>St</b>	Steel
<b>G</b>	Electrogalvanised

### Master data

Item no.	5015758
Type	1801 RK25
Description 1	Series terminal
Description 2	for equipotential busbar
Dimension	25mm <sup>2</sup>
Material	Steel
Material symbol	St
Surface	Electrogalvanised
Surface to DIN	DIN EN 12329
Surface symbol	G
Smallest sales unit	10,00 Piece
Weight	1,32 kg/100 pc.

### Technical data



Width	12,00 mm
Connection options	2.5–25 mm <sup>2</sup>
Connection option 1	for single or multi-core cables 2.5–25 mm <sup>2</sup> or fine-core cables to 16 mm <sup>2</sup> (max. Ø 7 mm)
Dividing unit TE (10 mm)	1,00