

Technical data sheet

Joint connector, for duct type LKM 800

Art.-Nr. 6247472



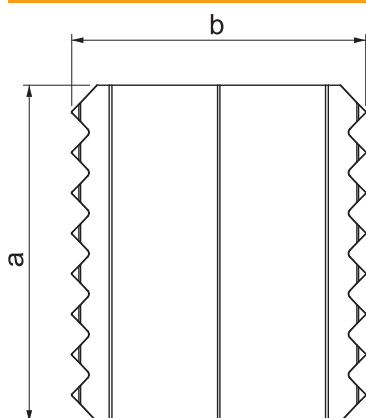
Joint connector to connect the bases. This creates the equipotential bonding between the duct bases.

A2	Stainless steel, rustproof 1.4310
2B	Bright, reworked

Master data

Item no.	6247472
Type	LKM SV80
Description 1	Joint connector
Phase-out	<input type="checkbox"/>
Dimension	80mm
Material	Stainless steel, grade 301
Material symbol	A2
Surface	Bright, reworked
Surface symbol	2B
Smallest sales unit	10,00 Piece
Weight	1,30 kg/100 pc.

Technical data



Width	65,60 mm
Dimension a	75,00 mm
Dimension b	65,60 mm
Version for	Inside
Halogen-free	<input type="checkbox"/>
With equipotential bonding	<input checked="" type="checkbox"/>