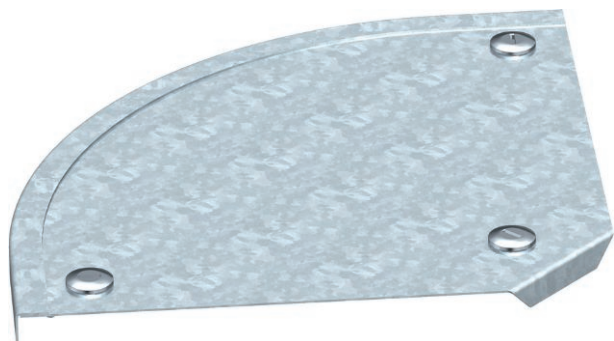


Technical data sheet

Cover for 90° bend

Art.-Nr. 7129637



Cover for 90° bend with pre-mounted turn buckles.



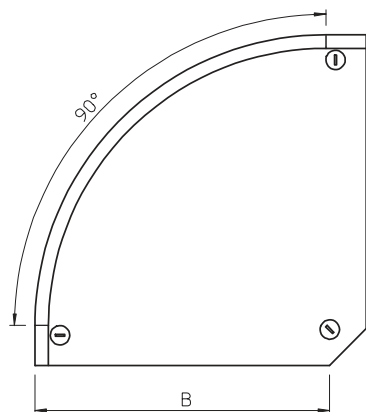
St	Steel
FS	Strip galvanised

Additional product text, instruction | The cover can be used with fittings of all side heights.

Master data

Item no.	7129637
Type	DFB 90 200 FS
Description 1	90° bend cover
Description 2	with turn-buckles, RB 90 200
Manufacturer	OBO
Dimension	B200mm
Material	Steel
Material symbol	St
Surface	Strip galvanised
Surface to DIN	DIN EN 10346
Surface symbol	FS
Smallest sales unit	1,00 Piece
Weight	56,00 kg/100 pc.

Technical data



Width	200,00 mm
Dimension B	200,00 mm
Dimension H	15,00 mm
Bend (angle)	90°
Number of turn buckles	3,00 St.
Fastening type	Turn buckle
Plate thickness	1,00 mm
Suitable for cable tray	<input checked="" type="checkbox"/>
Suitable for mesh cable tray	<input type="checkbox"/>
Suitable for cable ladder	<input checked="" type="checkbox"/>
Suitable for maintaining electrical function	<input type="checkbox"/>
Change of direction	Horizontal
Rustproof steel, pickled	<input type="checkbox"/>
Hinged	<input type="checkbox"/>