

■ Datasheet: El. Main branch term., 1 pole, 400A, in. 1x185mm<sup>2</sup>, out. 2x35mm<sup>2</sup>



IKB01185

■ SCHRACK-INFO

Article-description: El. Main branch term., 1 pole, 400A, in. 1x185mm<sup>2</sup>, out. 2x35mm<sup>2</sup>

■ Assembly details

Mounting on DIN-rail or on base plate. Time savings in cabling and approximately 80% space savings. Modular construction, 1-4 pole Systems can be built with several blocks.

■ Technical data

	Material	Colour
Clamping body	Brass	Plain
Housing	PA66-V0	grey
Housing body	PA66-V0	grey
Hexagon socket set screw	Steel	Zn-Plated

■ General data

Heat deflection temp.	100°C - UL94-V0
Comparative tracking index	600V
Standard	IEC 60 947-7-1 / UL 1059

■ Electrical data

	IEC	UL	CSA
max. electrical load	400A	310A	310A
max. operating voltage	1000V AC 1500V DC	600V AC	600V AC
Protection	IP20		
Short circuit withstand	Ipk 51kA / Icw 1s 21kA		

■ Cross section

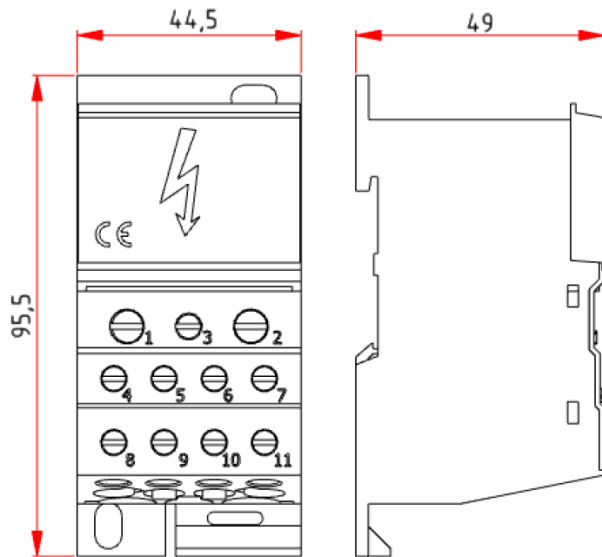
	U - single wire	K - fine wire (with sleeve)	Drehmoment
	R - multi wire	F - fine wire (with sleeve)	
<b>Incomer</b>			
1 x Ø19mm	95mm <sup>2</sup> - 185mm <sup>2</sup> 3/0 AWG - 350 MCM	95mm <sup>2</sup> - 150mm <sup>2</sup> 3/0 AWG - 5/0 AWG	25Nm 221,2lbf.in
<b>Outgoings</b>			
2 x Ø9mm	2,5mm <sup>2</sup> - 35mm <sup>2</sup> 14 AWG - 2 AWG	2,5mm <sup>2</sup> - 25mm <sup>2</sup> 14 AWG - 4 AWG	3,5Nm - 7Nm 31 - 62 lbf.in
5 x Ø6,5mm	1,5mm <sup>2</sup> - 16mm <sup>2</sup> 16 AWG - 6 AWG		2Nm - 3Nm 17.7 - 26.5 lbf.in
4 x Ø5,3mm	1,5mm <sup>2</sup> - 10mm <sup>2</sup> 16 AWG - 8 AWG		2Nm - 3Nm 17.7 - 26.5 lbf.in

■ Approval and Marking

The products are CE conform and correspond to the RoHS of the EU.

■ Datasheet: El. Main branch term., 1 pole, 400A, in. 1x185mm<sup>2</sup>, out. 2x35mm<sup>2</sup>

■ Dimensional drawing



■ Models

Description	Order No.
El. Main branch term., 1 pole, 400A, in. 1x185mm <sup>2</sup> , out. 2x35mm <sup>2</sup>	IKB01185