

# Technical data sheet

## MCR protection for 2-pole for power supply, 60 V

Art.-Nr. 5097623



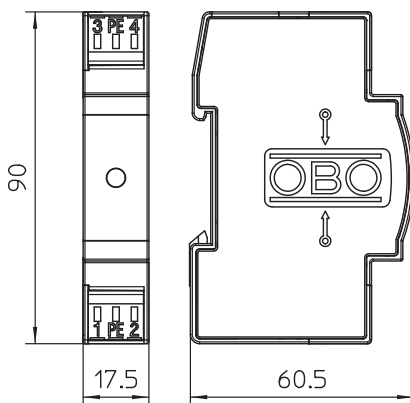
Surge protection device / fine protection type 3 to EN 61643-11

- Suitable for DC and AC voltage systems
- With visual function display
- With installation-friendly, screwless connection terminals
- In a space-saving 17.5 mm grid
- Y circuit

Application: Universal use on 35 mm DIN profile rail in every normal commercially available distributor housing.



### Dimensions



### Master data

Item no.	5097623
Type	VF60-AC/DC
Description 1	Lightning barrier
Description 2	for AC and DC
Dimension	60V AC
Smallest sales unit	1,00 Piece
Weight	8,00 kg/100 pc.

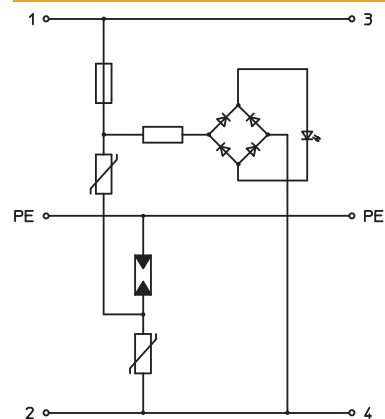
# Technical data sheet

## MCR protection for 2-pole for power supply, 60 V

Art.-Nr. 5097623



### Technical data



SPD to EN 61643-11	Type 3
SPD to IEC 61643-11	Class III
Test class, type 3	<input checked="" type="checkbox"/>
Nominal voltage	60,00 V
Maximum continuous voltage AC	80,00 V
Max. continuous operating voltage	80,00 V
U max AC	80,00 V
Maximum continuous voltage DC	110,00 V
U max DC	110,00 V
Nominal discharge current (8/20)	0,7 kA
Rated current	20,00 A
Maximum discharge current (8/20 µs)	2,00 kA
Protection level	< 0,28 kV
Response time	<25 ns
Maximum back-up fuse	20,00 A
Temperature range	-40+80 °C
Pole version	2
Pole number	3,00
Version	60 V version
Version	2-pole
Mounting type	Hat rail 35 mm
Installation type	DIN rail 35 mm
Protection rating	IP20
Protection rating	IP 20
Blow-out	<input type="checkbox"/>
Division unit TE (17.5 mm)	1
Remote signalling	<input type="checkbox"/>
Telecommunications contact	<input type="checkbox"/>
Max. cable cross-section flexible (fine-wire)	2,50 mm <sup>2</sup>
Max. cable cross-section rigid (single wire/multi-wire)	2,50 mm <sup>2</sup>
Connection cross-section, flexible	0,14 - 2,50 mm <sup>2</sup>
Connection cross-section, rigid	0,14 - 2,50 mm <sup>2</sup>
Connection cross-section, multi-wire	0,14 - 2,50 mm <sup>2</sup>
Signalling on device	Visual