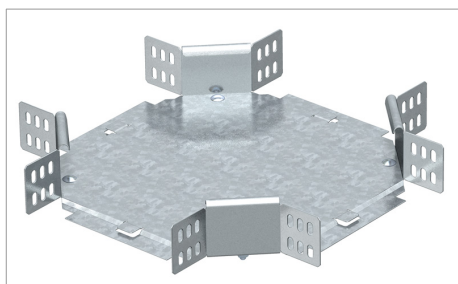
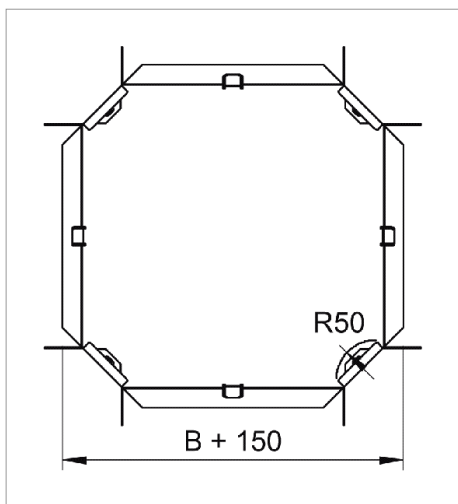


## Technical data sheet Horizontal cross-over



Horizontal cross-over for all cable tray types of 60 mm side height.

The fitting is shipped in an unmounted state. All the sides are designed for the same cable tray width. Including appropriate fastening material.



Type	Width mm	Pack. pcs	Weight kg/100 pcs.	Art-No.
RK 610 FS	100	1	69.900	6043615
RK 615 FS	150	1	90.000	6043607
RK 620 FS	200	1	110.900	6043623
RK 630 FS	300	1	168.400	6043631

**St** Steel

**FS** Strip-galvanised

**R** /pc.



## Legend



Cable tray, side height 60 mm



Communautés Européennes, EC declaration of conformity according to EC directives



Verband der Elektrotechnik, Elektronik, Informationstechnik e.V., Germany