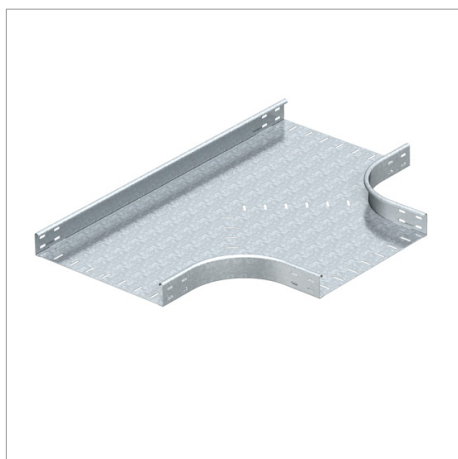


# Technical data sheet

## Horizontal tee



Horizontal tee, for all cable tray types of 60 mm side height.

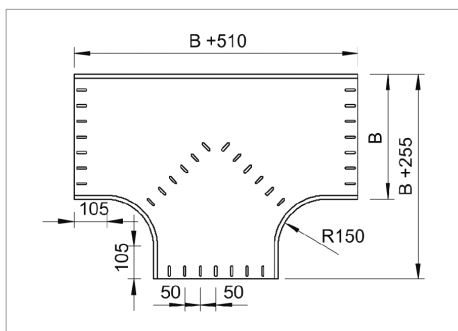
Fitting in round design. The interior radius of the fitting is 150 mm. All the sides are designed for the same cable tray width. Fastening materials should be ordered separately.

Type	Width mm	Pack. pcs	Weight kg/100 pcs.	Art-No.
RT 640 FS	400		629.000	7003390
RT 650 FS	500		804.000	7003412
RT 660 FS	600		1001.000	7003439

**St** Steel

**FS** Strip-galvanised

**R** /pc.



## Legend



Cable tray, side height 60 mm



Communautés Européennes, EC declaration of conformity according to EC directives