

Technical data sheet

Grip 40

Art.-Nr. 2205416



Cable tidy for general use, suitable for wall and ceiling mounting. The moulded fastening element can be fastened using knock-in anchors or a gas pressure nail gun.



PP Polypropylene

Additional product text 1 | With multifunctional fastening element. Capacity: 2031/ 40 max. 40 cables NYM 3 x 1.5 mm²

Master data

Item no.	2205416
Type	2031 40
Description 1	Grip collecting clamp
Dimension	40x NYM3x1,5
Colour	Light grey
RAL number	7035
Material	Polypropylene
Material symbol	PP
Smallest sales unit	25,00 Piece
Weight	3,61 kg/100 pc.

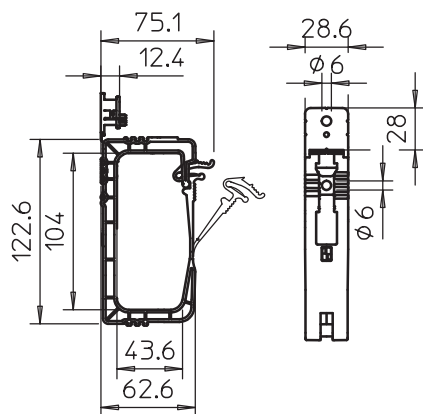
Technical data sheet

Grip 40

Art.-Nr. 2205416



Technical data



No. of conductors NYM 3 x 1.5	40,00
Flame-resistant version	<input type="checkbox"/>
Breaking load	0,32 kN
Suitable for maintaining electrical function	<input type="checkbox"/>
Halogen-free	<input checked="" type="checkbox"/>
With anchor	<input type="checkbox"/>