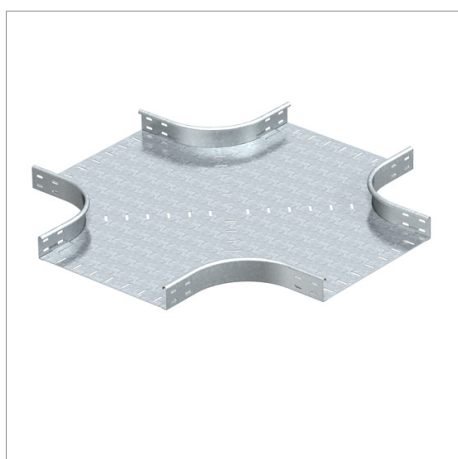


Technical data sheet

Horizontal cross-over



Horizontal cross-over for all cable tray types of 60 mm side height.

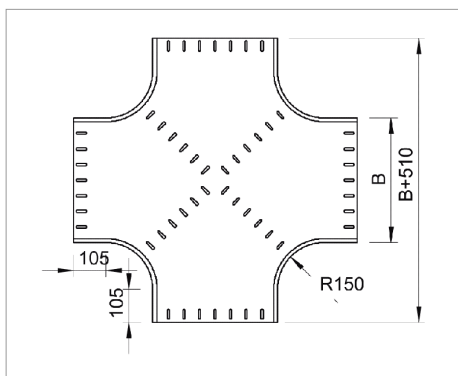
Fitting in round design. The interior radius of the fitting is 150 mm. All the sides are designed for the same cable tray width. Fastening materials should be ordered separately.

Type	Width mm	Pack. pcs	Weight kg/100 pcs.	Art-No.
RK 640 FS	400		800.000	7004397
RK 650 FS	500		1120.000	7004419
RK 660 FS	600		1250.000	7004435

St Steel

FS Strip-galvanised

R /pc.



Legend



Cable tray, side height 60 mm



Communautés Européennes, EC declaration of conformity according to EC directives