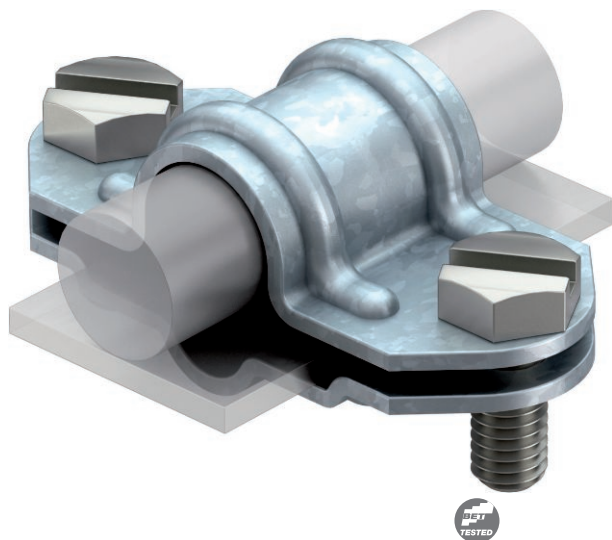


Technical data sheet

Universal separating piece

Art.-Nr. 5336007



- For fitting round conductors Rd 8–10 to Rd 16 or flat conductors FL30
- Including 2 hexagonal bolts M8 x 20 high-grade stainless steel (V2A)
- Conforms to the requirements according to VDE 0185-305 (IEC 62305)

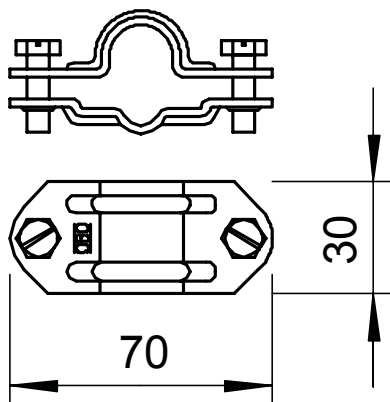


St	Steel
FT	Hot-dip galvanised

Master data

Item no.	5336007
Type	226 8-10
Description 1	Separating piece
Dimension	8-10mm
Material	Steel
Material symbol	St
Surface	Hot-dip galvanised
Surface to DIN	DIN EN ISO 1461
Surface symbol	FT
Smallest sales unit	20,00 Piece
Weight	8,60 kg/100 pc.

Technical data



Suitable for connection	Other
Fit	Rd 8-10/FL30 x 16 mm
Bimetal connector	<input type="checkbox"/>
Intermediate plate	<input type="checkbox"/>