

Technical data sheet

Hold-down clamp GKS 50

Art.-Nr. 6015263



Clamp for fastening mesh cable trays.



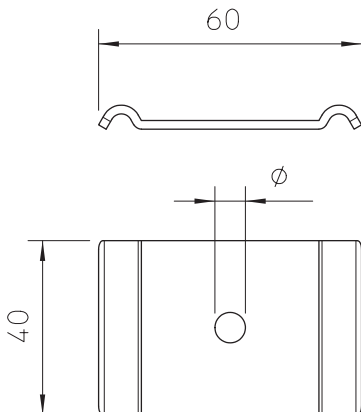
St	Steel
FS	Strip galvanised

Additional product text, instruction | Use on mesh cable trays with 50 x 100 mm grid only.

Master data

Item no.	6015263
Type	GKS 50 07 FS
Description 1	Hold-down clamp
Description 2	for screw M6
Dimension	60x40
Material	Steel
Material symbol	St
Surface	Strip galvanised
Surface to DIN	DIN EN 10346
Surface symbol	FS
Smallest sales unit	50,00 Piece
Weight	3,52 kg/100 pc.

Technical data



Dimension	60 x 40 mm
Suitable for cable tray	<input type="checkbox"/>
Suitable for mesh cable tray	<input checked="" type="checkbox"/>
Suitable for cable ladder	<input type="checkbox"/>
Hole diameter	7,00 mm
Rustproof steel, pickled	<input type="checkbox"/>
Connection type	Other