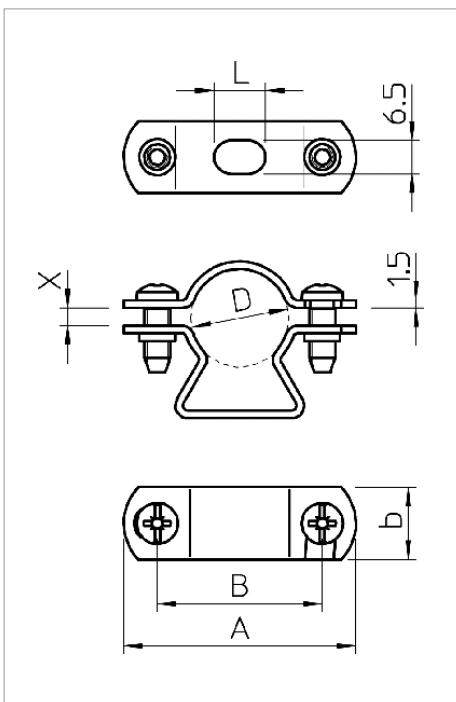


Technical data sheet Cable and pipe spacer clip



Steel bolt material.

*Size M16 are not suitable for nail device.

* Sizes M16 to PG16 not suitable for bolt-firing tool.

Type	Clamping range D mm	Hole size mm	Material thickness mm	Size	Bolt	Box quantity	Pack. pcs	Weight kg/100 pcs.	Art.-No.
733 13 G	11	6,5 x 10	1.5	M12	M5 x 12	600	50	2.310	1361139
733 16 G	14	6,5 x 10	1.5	M16	M5 x 14	500	50	2.430	1361163
733 19 G	17	6,5 x 10	1.5	Pg11	M5 x 14	500	50	2.500	1361198
733 21 G	19	6,5 x 10	1.5	M20	M5 x 14	500	50	2.730	1361201
733 23 G	21	6,5 x 10	1.5	Pg16	M5 x 14	500	50	2.870	1361236
733 29 G	24	6,5 x 10	1.5	M25	M5 x 18	450	50	3.480	1361295
733 38 G	30	6,5 x 10	1.5	M32	M5 x 18	250	25	4.040	1361384
733 48 G	39	6,5 x 10	1.5	M40	M5 x 18	300	25	4.810	1361481
733 54 G	48	6,5 x 14	1.5	M50	M5 x 18	300	25	5.800	1361511
733 61 G	53	6,5 x 14	1.5	Pg48	M5 x 18	240	20	6.370	1361619
733 63 G	63	8 x 18	2	M63	M5 x 18	160	20	6.940	1361635

St Steel

G Electro-galvanised

E /100 pc.



Legend



Bolt-firing tool



Nail device



Communautés Européennes, EC declaration of conformity according to EC directives